



## 2/2- and 3/2-Way Rocker Solenoid Valve

- Direct acting
- Hermetic isolation of fluid from the actuator
- Vacuum to 10 bar
- Orifice 2 or 3 mm
- Manual override as standard

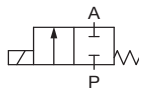
### Note

This Type will be replaced by 6628 in 2013

The 6608 analytical solenoid valve combines all state of the art features in a compact design.

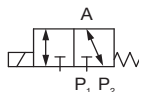
With high reliability, virtually no heat transfer between fluid and coil, low internal volume and Burkert's expertise in supplying customized solutions, these valves are a perfect fit even for the most demanding applications.

#### Circuit function A



2/2-way valve,  
direct acting,  
normally closed

#### Circuit function T



3/2-way valve,  
direct acting,  
universal function

Other circuit functions on request.

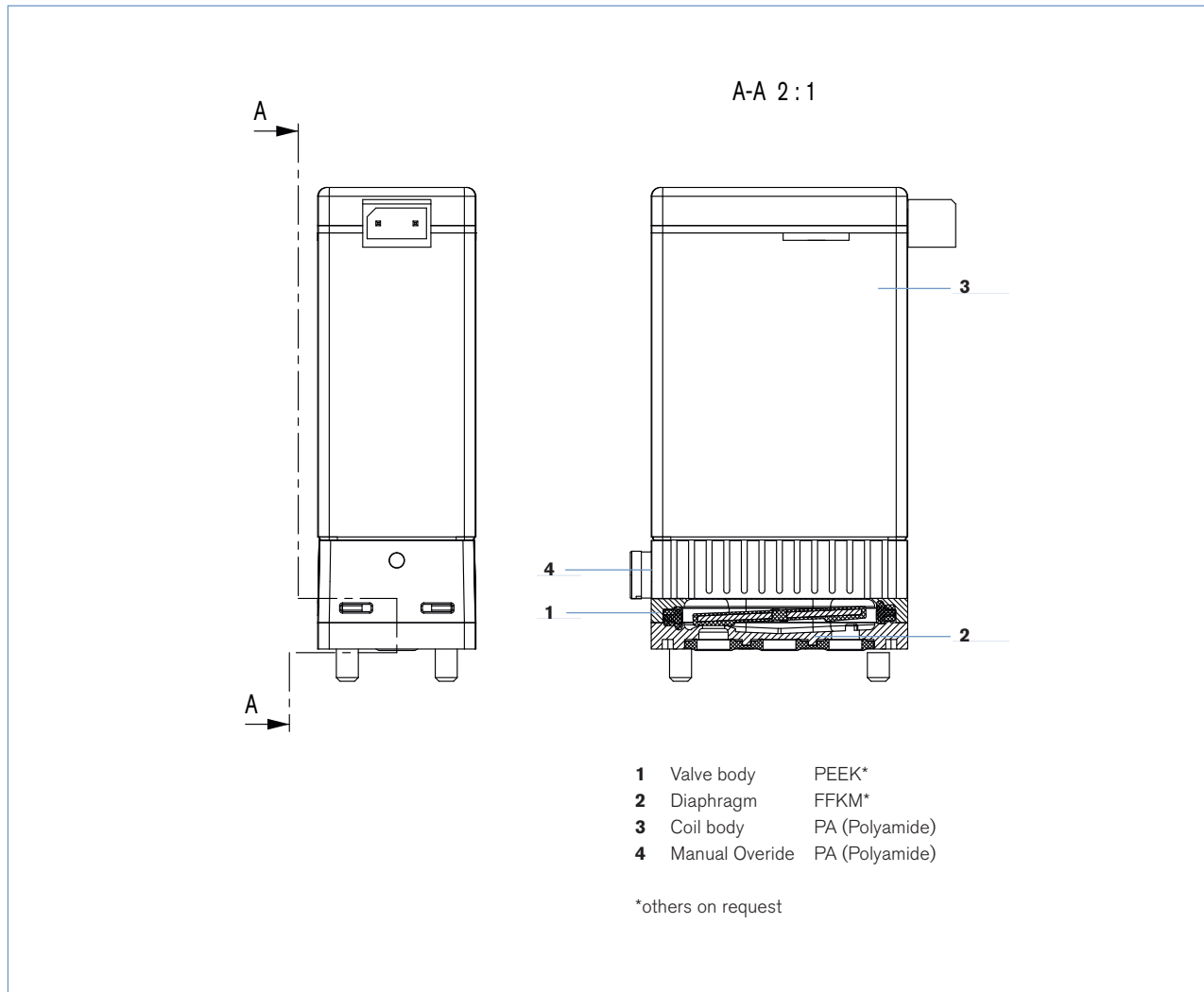
| Technical data                |   |
|-------------------------------|---|
| <b>Orifice</b>                | DN 2.0–3.0 mm   |
| <b>Body material</b>          | PEEK (PPS on request - Type 6128)   |
| <b>Seal material</b>          | FFKM (Perfluorelastomer) FKM and EPDM on request  |
| <b>Medium</b>                 | Resistant to neutral and aggressive gases and liquids acc. to our chemical resistance chart |
| <b>Medium temperature</b>     | 0 to +70 °C   |
| <b>Ambient temperature</b>    | 0 to +60 °C   |
| <b>Viscosity</b>              | max. ca. 21 mm <sup>2</sup> /s  |
| <b>Port connection</b>        | Bürkert sub-base<br>G 1/8<br>NPT 1/8  |
| <b>Operating voltage</b>      | 12 V DC, 24 V DC<br>LED and Rectifier on request<br>Other voltages on request               |
| <b>Voltage tolerance</b>      | ±10%  |
| <b>Power consumption</b>      | 5 W   |
| <b>Duty cycle</b>             | 100 % continuous operation  |
| <b>Response times</b>         | opening<br>closing  |
|                               | 18 ms<br>8 ms   |
| <b>Manual override</b>        | Standard (non-lockable)   |
| <b>Electrical connections</b> | Rectangular plug or single flying leads, 500 mm, cable plug form B on request               |
| <b>Protection class</b>       | IP 40   |
| <b>Installation</b>           | As required, preferably with actuator in upright position                                   |

## Characteristics

| Circuit function | Orifice DN [mm] | Kv value water [m³/h] | QNn value air [l/min] | Pressure range [bar]1) | Response times |              | Max. Pressure difference [bar] | Max. Pressure difference [PSI] |
|------------------|-----------------|-----------------------|-----------------------|------------------------|----------------|--------------|--------------------------------|--------------------------------|
|                  |                 |                       |                       |                        | opening [ms]   | closing [ms] |                                |                                |
| A                | 2.0             | 0.10                  | 104                   | Vacu-10                | 18             | 8            | 10                             | 145                            |
|                  | 3.0             | 0.13                  | 136                   | Vacu-3                 | 18             | 8            | 3                              | 43.5                           |
| T                | 2.0             | 0.11                  | 119                   | Vacu-5                 | 18             | 8            | 5                              | 72.5                           |
|                  | 3.0             | 0.13                  | 136                   | Vacu-2                 | 18             | 8            | 2                              | 29                             |

- Flow rate  $k_v$ -value water [m³/h]:  
Measured at +20 °C, 1 bar pressure to atmosphere
- Response times [ms]:  
Measured at valve outlet at 3 bar and +20 °C according to ISO 12238  
**Opening:** Pressure rise from 0 ... 10%  
**Closing:** Pressure drop from 100 ... 90%

## Material specification



## Ordering chart

| Circuit function | Orifice [mm] | Body material | Seal material    | Voltage/<br>Frequency [V/Hz] | Port connection  | Electrical connection | Item no. |
|------------------|--------------|---------------|------------------|------------------------------|------------------|-----------------------|----------|
| A                | 2.0          | PEEK          | FFKM             | 12/DC                        | Bürkert sub-base | Rectangular plug      | 160 730  |
|                  |              |               |                  |                              |                  | Flying leads, 500 mm  | 160 741  |
|                  |              |               |                  |                              | G 1/8            | 160 742               |          |
|                  |              |               |                  | NPT 1/8                      | 160 829          |                       |          |
|                  |              |               |                  | 24/DC                        | Bürkert sub-base | Rectangular plug      | 160 743  |
|                  |              |               |                  |                              |                  | Flying leads, 500 mm  | 160 744  |
|                  | G 1/8        | 160 745       |                  |                              |                  |                       |          |
|                  | 3.0          | PEEK          | FFKM             | 12/DC                        | Bürkert sub-base | Rectangular plug      | 160 746  |
|                  |              |               |                  |                              |                  | Flying leads, 500 mm  | 153 135  |
|                  |              |               |                  | G 1/8                        | 160 747          |                       |          |
|                  |              |               |                  | NPT 1/8                      | 160 831          |                       |          |
|                  |              | 24/DC         | Bürkert sub-base | Rectangular plug             | 150 825          |                       |          |
|                  |              |               |                  | Flying leads, 500 mm         | 150 826          |                       |          |
|                  |              |               | G 1/8            | 160 748                      |                  |                       |          |
| NPT 1/8          |              |               | 160 832          |                              |                  |                       |          |
| T                | 2.0          | PEEK          | FFKM             | 12/DC                        | Bürkert sub-base | Rectangular plug      | 160 749  |
|                  |              |               |                  |                              |                  | Flying leads, 500 mm  | 160 750  |
|                  |              |               |                  |                              | G 1/8            | 160 751               |          |
|                  |              |               |                  | NPT 1/8                      | 160 833          |                       |          |
|                  |              |               |                  | 24/DC                        | Bürkert sub-base | Rectangular plug      | 160 752  |
|                  |              |               |                  |                              |                  | Flying leads, 500 mm  | 160 753  |
|                  | G 1/8        | 160 754       |                  |                              |                  |                       |          |
|                  | NPT 1/8      | 160 834       |                  |                              |                  |                       |          |
|                  | 3.0          | PEEK          | FFKM             | 12/DC                        | Bürkert sub-base | Rectangular plug      | 160 755  |
|                  |              |               |                  |                              |                  | Flying leads, 500 mm  | 159 356  |
|                  |              |               |                  | G 1/8                        | 160 756          |                       |          |
|                  |              |               |                  | NPT 1/8                      | 160 835          |                       |          |
|                  |              | 24/DC         | Bürkert sub-base | Rectangular plug             | 150 797          |                       |          |
|                  |              |               |                  | Flying leads, 500 mm         | 149 485          |                       |          |
| G 1/8            |              |               | 160 757          |                              |                  |                       |          |
| NPT 1/8          |              |               | 160 836          |                              |                  |                       |          |

▪ Rectangular plug types delivered without plug (see ordering chart for accessories)

### **i** Further versions on request



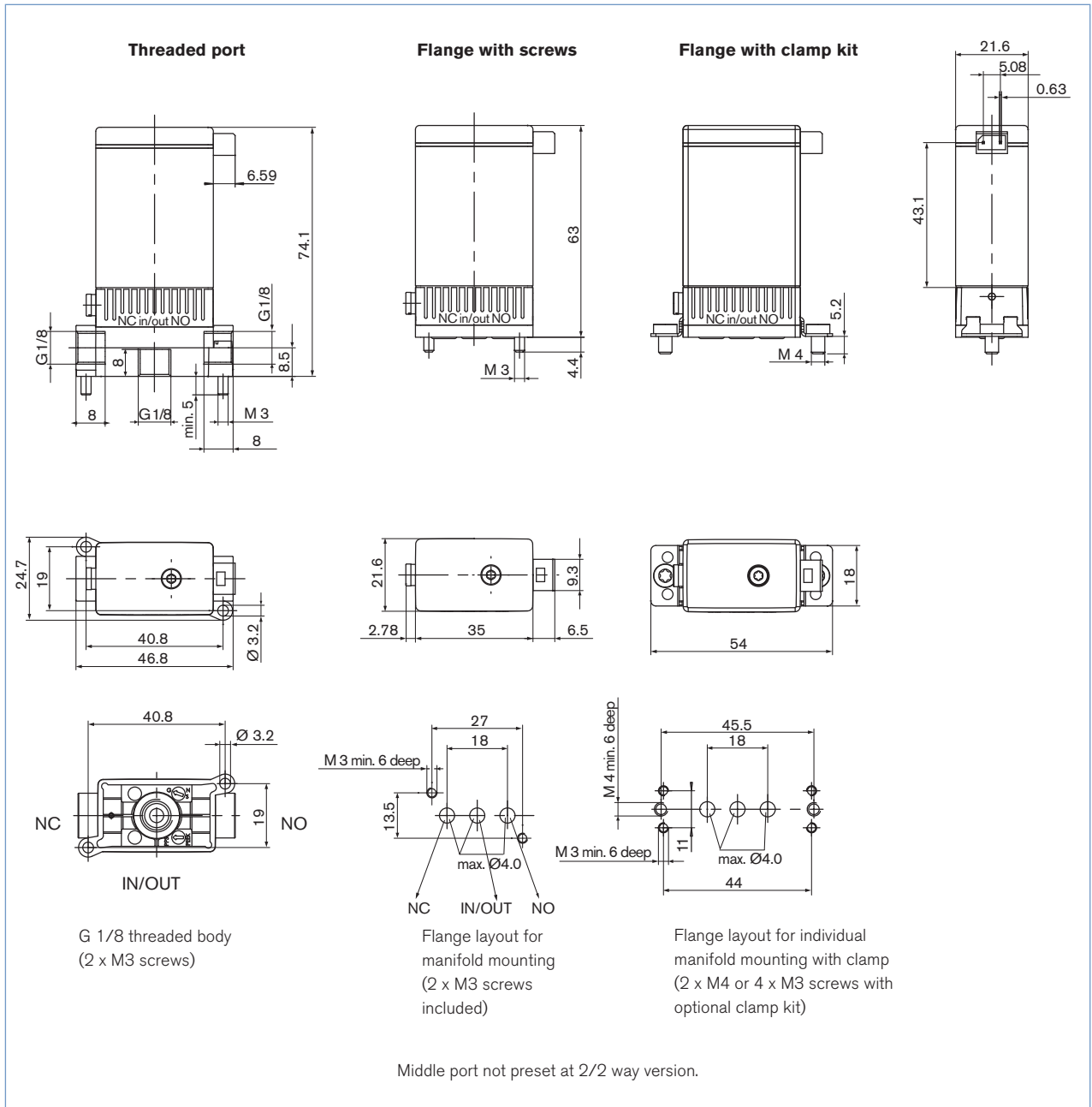
#### Electrical connection

Cable plug connection acc. to Form B (industrial standard)  
Flying leads

### Ordering chart for accessories

| Accessories  | Item no.                 |         |
|--|--------------------------|---------|
| Rectangular cable plug, Type 2505<br>5.08 mm matrix  | with 3 m cable           | 133 486 |
|  | with 300 mm flying leads | 644 068 |
|  | with 2 single contacts   | 644 067 |
| Clamp kit for securing single valves suitable for Bürkert sub-base<br>(1 packaging unit contains 10 clamps and 10 M4x6 screws) | 648 231                  |         |

Dimensions [mm]



DTS 1000023689 EN Version: I Status: RL (released | freigegeben | valide) printed: 24.10.2016

To find your nearest Bürkert facility, click on the orange box →

[www.burkert.com](http://www.burkert.com)

In case of special application conditions, please consult for advice.

Subject to alterations  
© Christian Bürkert GmbH & Co. KG

1304/5\_EU-en\_00891863